



Kitchen - CL.1

Cover for tap hole - Durabronss

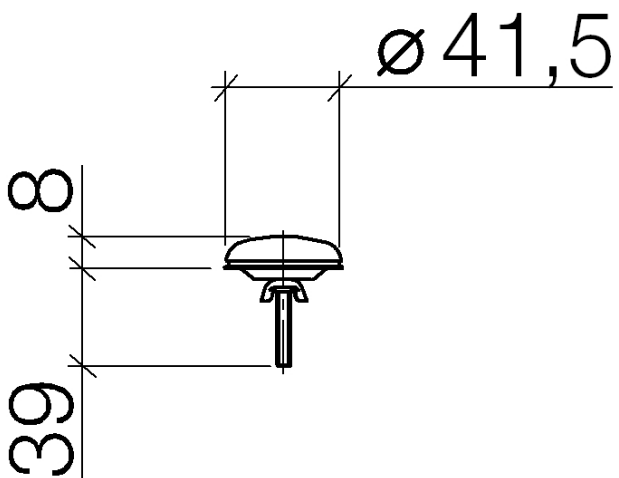
Article number: 12 715 970-09



Durabronss

Discontinued articles/items available to order until 31.12.9999

Dimensional drawing



All details in mm / inch = mm x 0.0394



Kitchen - CL.1

Cover for tap hole - Durabrass

Article number: 12 715 970-09



Kitchen - CL.1

Cover for tap hole - Durabross

Article number: 12 715 970-09

Other finish variants



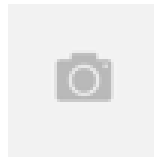
polished chrome
12 715 970-00



platinum matt
12 715 970-06



platinum
12 715 970-08



brushed Durabross
12 715 970-28



matt black
12 715 970-33



chrome matt
12 715 970-93

Other finishes on request (x-tra Service)

Spare parts list

No.	Item Number	Name	Quantity used
-----	-------------	------	---------------

