

Bath - Madison

Bath shower set for bath rim or tile edge installation - Durabron

Article number: 27 502 370-09



- 225 mm projection
- complete hand shower set: normal flow
- spout: circular, air-enriched flow
- complete hand shower set with anti-scale system
- automatic bath/shower diverter
- height of mixer 185 mm
- height up to aerator 140 mm
- hole diameter valve 32 mm
- hole diameter spout 32 mm
- hole diameter for complete hand shower set 32 mm
- rosette for spout Ø 70mm
- rosette for complete hand shower set Ø 60mm
- rosette for deck valve Ø 60mm
- metal shower hose 1750mm with integrated anti-twist protection
- max. spout flow rate 23 l/min
- max. flow for complete hand shower set 6.8 l/min
- Fittings group as per DIN 4109: 1
- Intrinsic protection against back flow.



Durabron

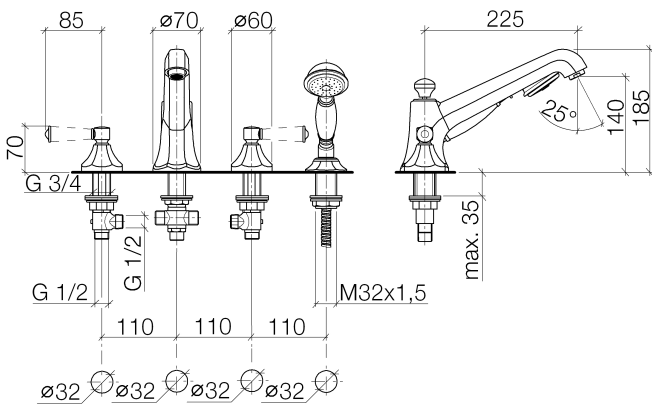
Discontinued articles/items available to order until 31.12.9999

Bath - Madison

Bath shower set for bath rim or tile edge installation - Durabrass

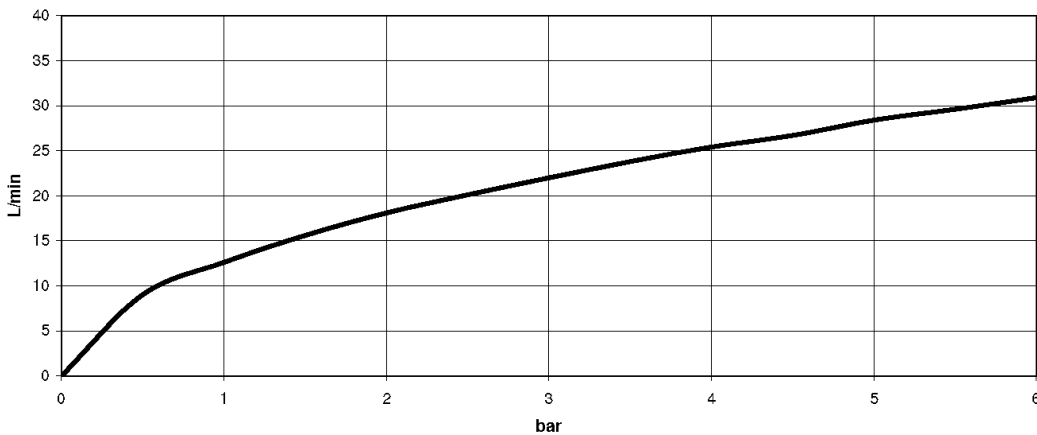
Article number: 27 502 370-09

Dimensional drawing



All details in mm / inch = mm x 0.0394

Flow rate chart





Bath - Madison

Bath shower set for bath rim or tile edge installation - Durabron

Article number: 27 502 370-09

Other finish variants



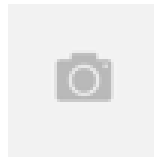
polished chrome
27 502 370-00



platinum matt
27 502 370-06



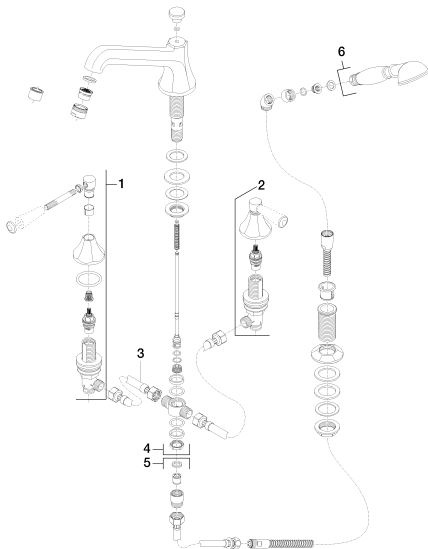
platinum
27 502 370-08



brushed Durabron
27 502 370-28

Other finishes on request (x-tra Service)

Spare parts list



No.	Item Number	Name	Quantity used
1	20 000 370-09	Deck valve clockwise closing cold - Durabron	1
2	13 502 380-09	bath spout with diverter for deck mounting - Durabron	1
3	12 502 970 90	High pressure hose 1/2" x 1/2" x 400 mm -	2
4	20 000 371-09	Deck valve anti-clockwise closing hot - Durabron	1
5	27 703 370-09	Hand shower set for bath rim or tile edge installation - Durabron	1