

Shower - Madison

Showerpipe with shower mixer without hand shower - Durabross

Article number: 26 632 360-09



- shower with fixed riser projection 420 mm
- overhead shower: rain flow
- rain shower Ø 200mm
- max. rainshower flow 9 l/min
- rotary diverter for fixed-riser shower/hand shower
- height of fittings up to top edge of elbow 1180mm
- height of fittings up to rain shower (bottom edge) 1009mm
- rosette for shower holder Ø 66mm
- rosette for wall mounting Ø 70mm
- rosette for shower mixer Ø 60mm
- gauge 150 mm - 13 mm
- metal shower hose 1250mm with integrated anti-twist protection
- 1/2" connection
- Pipe diameter 20 mm
- Fittings group as per DIN 4109: 1
- This article does not include a hand shower!
- Intrinsic protection against back flow.



Durabross

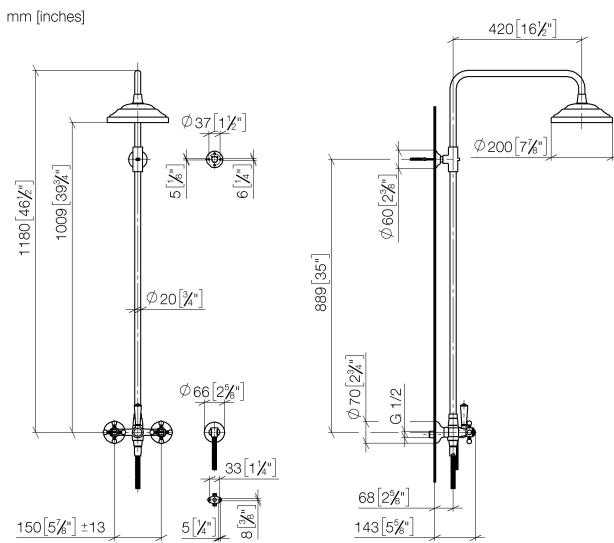
Discontinued articles/items available to order until 31.12.9999

Shower - Madison

Showerpipe with shower mixer without hand shower - Durabronz

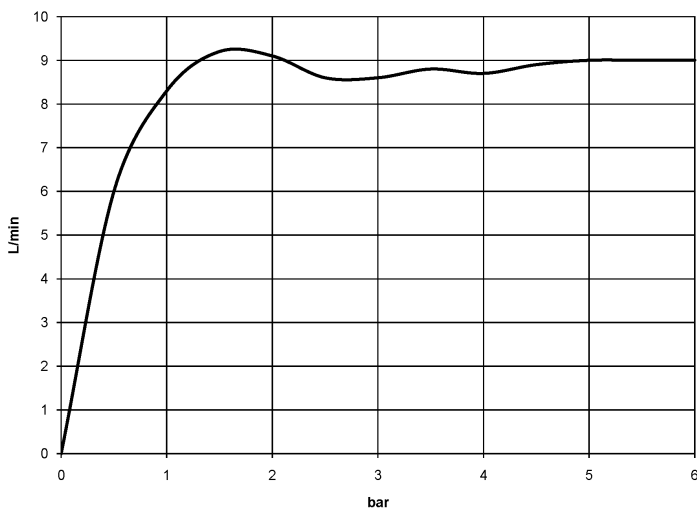
Article number: 26 632 360-09

Dimensional drawing



All details in mm / inch = mm x 0.0394

Flow rate chart





Shower - Madison

Showerpipe with shower mixer without hand shower - Durabross

Article number: 26 632 360-09

Other finish variants



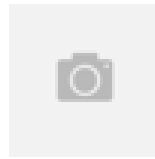
polished chrome
26 632 360-00



platinum matt
26 632 360-06



platinum
26 632 360-08



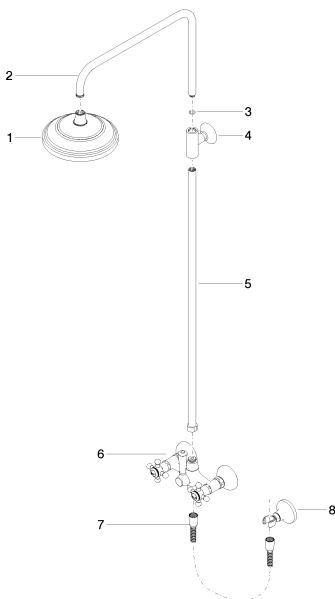
brushed Durabross
26 632 360-28



Dark Platinum matt
26 632 360-99

Other finishes on request (x-tra Service)

Spare parts list



No.	Item Number	Name	Quantity used
1	04 12 05 038 30-09	shower	1
2	04 28 22 101 20-09	spout	1
3	09 14 10 011 90	seal	1
4	90 17 11 033 00-09	holder	1
5	90 28 22 096 00-09	pipe	1
6	04 17 10 001 00-09	fitting	1
7	28 104 970-09	Metal shower hose 1/2" x 1/2" x 1250 mm - Durabross	1
8	28 050 410-09	holder	1