

Bath - Madison

Two-hole bath mixer for free-standing assembly with hand shower set - Durabron

Article number: 25 943 360-09



- 245 mm projection
- spout: rectangular normal flow
- hand shower: normal flow
- hand shower with anti-scale system
- rotary diverter for bath/shower
- wall bracket
- total height 901 mm
- stand pipes height 730 mm
- height up to aerator 610 mm
- slide-on rosettes Ø 90 mm
- gauge 153 mm
- metal shower hose 1250mm with integrated anti-twist protection
- max. flow 51 l/min at 3 bar flow pressure
- max. hand shower flow 6.8 l/min
- Intrinsic protection against back flow.



Durabron

Miscellaneous items are required for this article.

Discontinued articles/items available to order until 31.12.9999

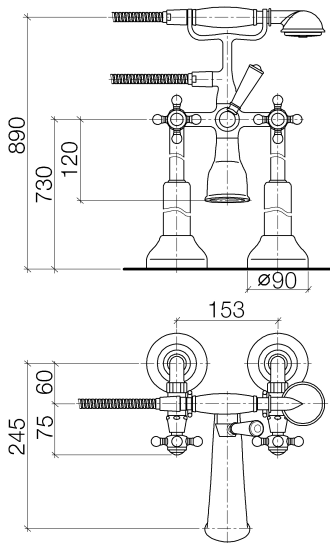


Bath - Madison

Two-hole bath mixer for free-standing assembly with hand shower set - Durabron

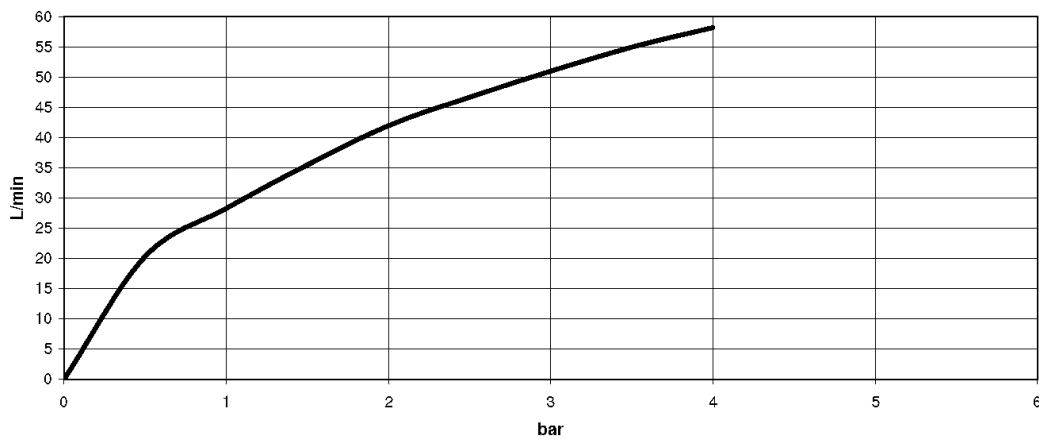
Article number: 25 943 360-09

Dimensional drawing



All details in mm / inch = mm x 0.0394

Flow rate chart





Bath - Madison

Two-hole bath mixer for free-standing assembly with hand shower set - Durabross

Article number: 25 943 360-09

Other finish variants



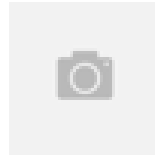
polished chrome
25 943 360-00



platinum matt
25 943 360-06



platinum
25 943 360-08



brushed Durabross
25 943 360-28



Dark Platinum matt
25 943 360-99

Other finishes on request (x-tra Service)



35 944 970 90

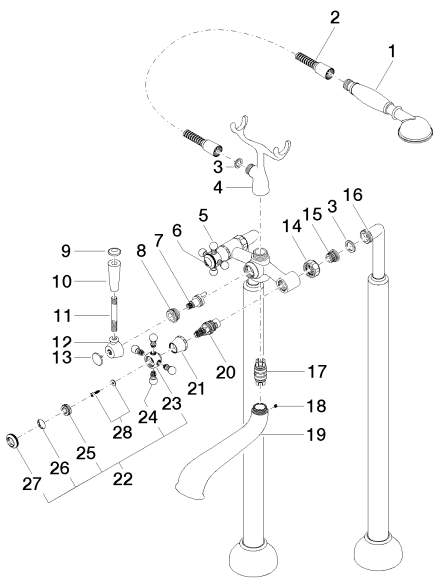
Concealed floor mounting -

Bath - Madison

Two-hole bath mixer for free-standing assembly with hand shower set - Durabron

Article number: 25 943 360-09

Spare parts list



No.	Item Number	Name	Quantity used
1	28 002 970-09	Metal hand shower with porcelain insert (white) 9 l/min - Durabron	1
2	28 104 970-09	Metal shower hose 1/2" x 1/2" x 1250 mm - Durabron	1
3	09 14 20 002 90	seal	1
4	04 17 20 010 00-09	holder	1
5	04 20 36 002 07-09	handle (hot)	1
6	09 26 01 011 90	accessories	1
7	04 15 01 001 00 90	diverter	1
8	09 23 10 007 90	nut	1
9	09 30 30 062-09	screw	1
10	11 170 370-09	Lever insert - Durabron	1
11	09 28 22 013 90	pipe	1
12	09 18 20 011-09	base	1
13	09 30 30 064-09	screw	1
14	09 23 30 010-09	nut	2
15	04 29 05 014 00 90	nipple	2
16	12 943 360-09	connection	1
17	04 21 10 010 00 90	insert	1
18	09 31 11 030 90	pin	1
19	13 592 380-09	spout	1
20	90 90 03 131 00 90	top	2
21	09 21 02 055-09	cover	2
22	04 20 36 002 06-09	handle (cold)	1
23	09 20 36 002-09	handle	2
24	09 20 36 004-09	handle	8
25	09 20 83 006 90	handle	2
26	09 26 01 010 90	accessories	1
27	09 20 36 005-09	handle	2
28	04 30 30 029 00 90	fixing set	2