

Bath - Lissé

Hand shower set for bath rim or tile edge installation - Durabron

Article number: 27 702 979-09



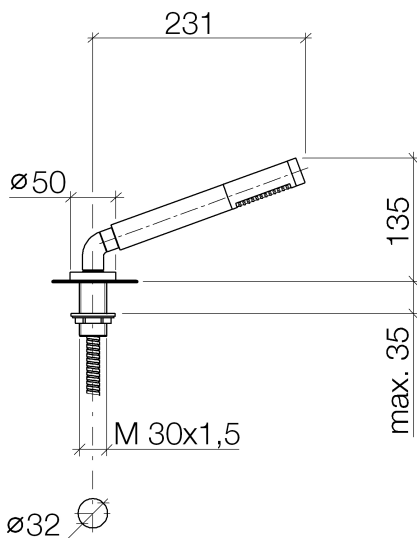
- normal flow
- with anti-scale system
- rosette Ø 50 mm
- hole diameter 32 mm
- metal shower hose 1750mm with integrated anti-twist protection
- max. flow 6.8 l/min
- Two-piece design allows hose to later be changed without dismantling the fitting.
- Intrinsic protection against back flow.



Durabron

Discontinued articles/items available to order until 31.12.9999

Dimensional drawing



All details in mm / inch = mm x 0.0394

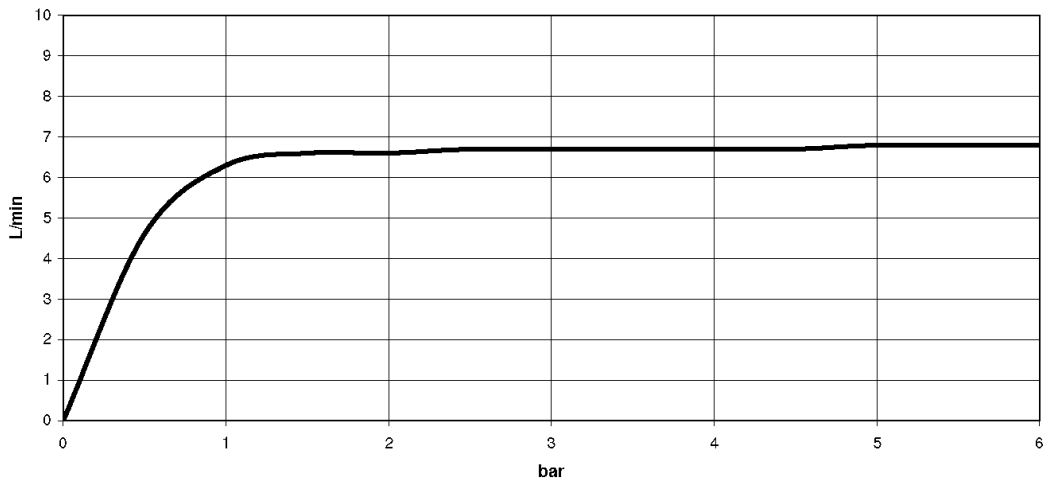


Bath - Lissé

Hand shower set for bath rim or tile edge installation - Durabrass

Article number: 27 702 979-09

Flow rate chart





Bath - Lissé

Hand shower set for bath rim or tile edge installation - Durabross

Article number: 27 702 979-09

Other finish variants



polished chrome
27 702 979-00



platinum matt
27 702 979-06



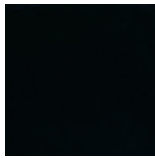
platinum
27 702 979-08



matt white
27 702 979-10



brushed Durabross
27 702 979-28



matt black
27 702 979-33



chrome matt
27 702 979-93



Dark Platinum matt
27 702 979-99

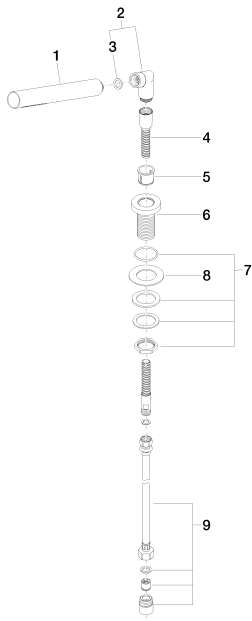
Other finishes on request (x-tra Service)

Bath - Lissé

Hand shower set for bath rim or tile edge installation - Durabross

Article number: 27 702 979-09

Spare parts list



No.	Item Number	Name	Quantity used
1	28 013 979-09 0010	Bar-type hand shower 6.8 l/min - Durabross	1
2	04 24 04 287 00-09	nipple	1
3	09 14 20 002 90	seal	1
4	28 322 970-09	Metal shower hose 1/2" x 3/8" x 1750 mm - Durabross	1
5	09 18 40 085 90	sleeve	1
6	09 30 01 085-09	rosette	1
7	04 30 11 038 66 90	fixing set	1
8	09 30 11 060 90	disc	1
9	12 505 970 90	High pressure hose 1/2" x 3/8" x 500 mm -	1