



## Bath - Madison

Two-way diverter for bath rim or tile edge installation - Durabronz

Article number: 29 140 360-09

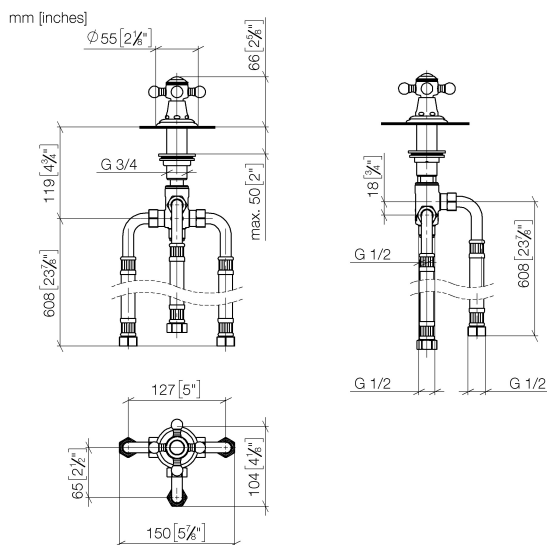
- automatic bath/shower diverter
- hole diameter 32 mm
- rosette  $\varnothing$  55 mm
- 1/2" connection
- max. flow 64.9 l/min at 3 bar flow pressure
- Fittings group as per DIN 4109: 1



Durabronz

Discontinued articles/items available to order until 30.09.2022

## Dimensional drawing



All details in mm / inch = mm x 0.0394

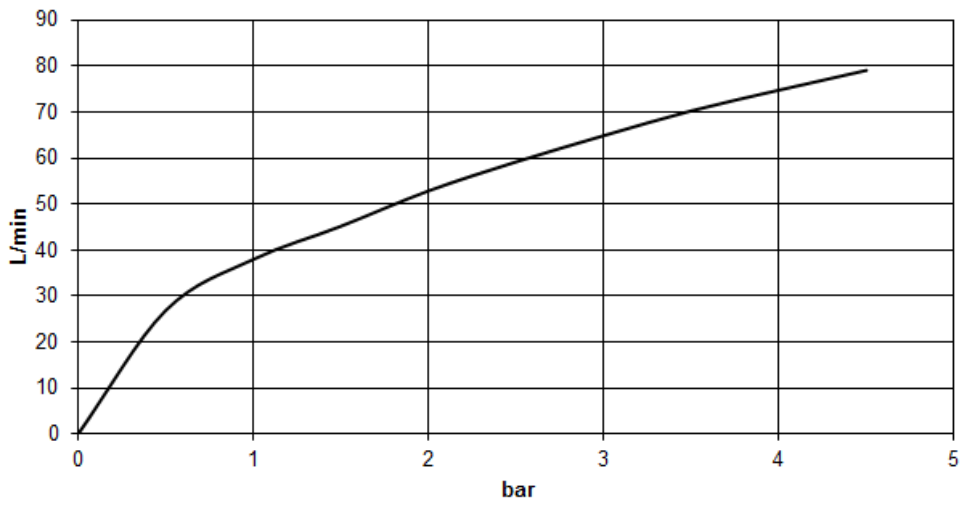


Bath - Madison

Two-way diverter for bath rim or tile edge installation - Durabron

Article number: 29 140 360-09

### Flow rate chart





## Bath - Madison

Two-way diverter for bath rim or tile edge installation - Durabronz

Article number: 29 140 360-09

### Other finish variants



polished chrome  
29 140 360-00



platinum matt  
29 140 360-06



platinum  
29 140 360-08



brushed Durabronz  
29 140 360-28



Dark Platinum matt  
29 140 360-99

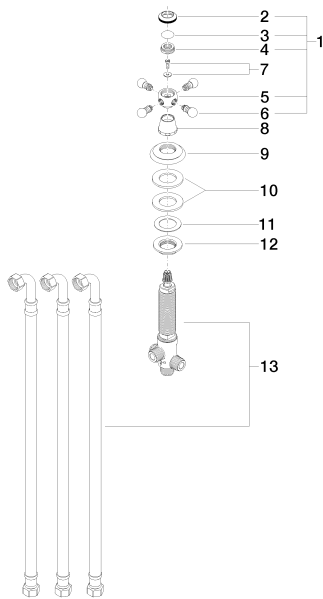
Other finishes on request (x-tra Service)

Bath - Madison

Two-way diverter for bath rim or tile edge installation - Durabrass

Article number: 29 140 360-09

Spare parts list



No.	Item Number	Name	Quantity used
1	04 20 36 002 08-09	handle	1
2	09 20 36 005-09	handle	1
3	09 26 01 016 90	accessories	1
4	09 20 83 006 90	handle	1
5	09 20 36 002-09	handle	1
6	09 20 36 004-09	handle	4
7	04 30 30 029 00 90	fixing set	1
8	09 21 02 055-09	cover	1
9	09 27 35 001-09	rosette	1
10	09 14 05 014 90	seal	1
11	09 14 40 002 90	seal	1
12	09 23 10 004 90	nut	1
13	90 17 09 051 00 90	diverter	1