

Washbasin - Madison

Single-hole basin mixer with pop-up waste - Durabrass

Article number: 22 500 360-09

- 130 mm projection
- fixed spout
- circular, air-enriched flow
- height of mixer 100 mm
- height up to aerator 65 mm
- hole diameter 35 mm
- 2x screw-in M 10 x 1 pressure hose, leak-tested
- max. flow 7 l/min
- lead-free
- Fittings group as per DIN 4109: 1
- Only suitable for basins with an overflow.

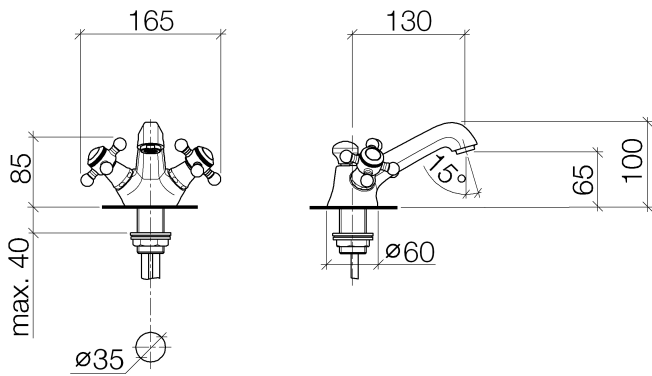


Durabrass

Discontinued articles/items available to order until 31.12.9999

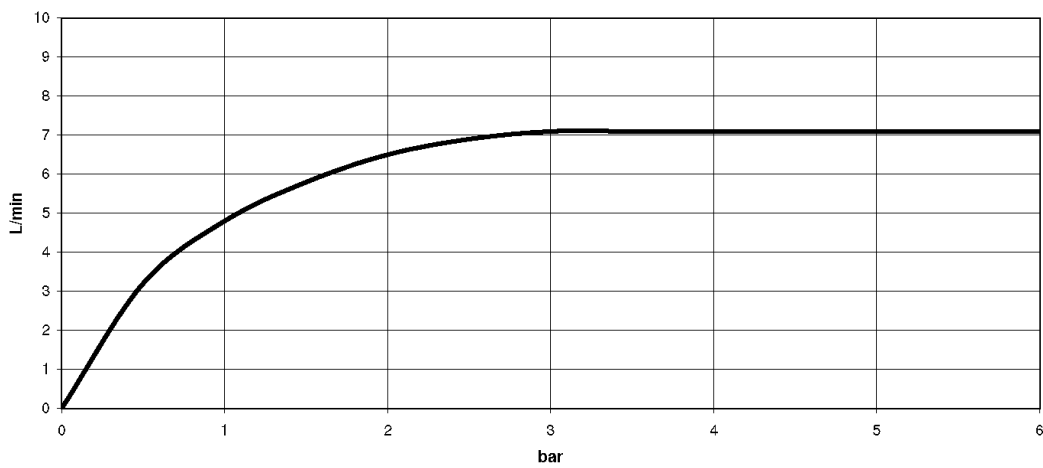
Washbasin - Madison
 Single-hole basin mixer with pop-up waste - Durabrass
 Article number: 22 500 360-09

Dimensional drawing



All details in mm / inch = mm x 0.0394

Flow rate chart





Washbasin - Madison

Single-hole basin mixer with pop-up waste - Durabrass

Article number: 22 500 360-09

Other finish variants



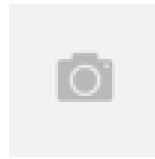
polished chrome
22 500 360-00



platinum matt
22 500 360-06



platinum
22 500 360-08



brushed Durabrass
22 500 360-28



Dark Platinum matt
22 500 360-99

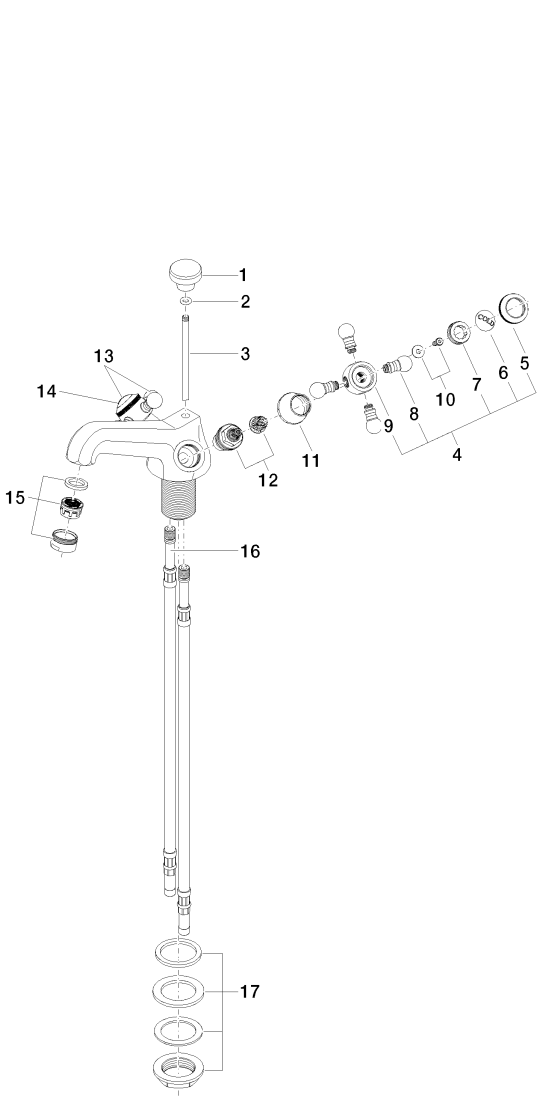
Other finishes on request (x-tra Service)

Washbasin - Madison

Single-hole basin mixer with pop-up waste - Durabrass

Article number: 22 500 360-09

Spare parts list



No.	Item Number	Name	Quantity used
1	09 20 36 030-09	handle	1
2	09 14 10 062 90	seal	1
3	09 31 09 004-09	pull-rod	1
4	04 20 36 002 06-09	handle (cold)	1
5	09 20 36 005-09	handle	2
6	09 26 01 010 90	accessories	1
7	09 20 83 006 90	handle	2
8	09 20 36 004-09	handle	4
9	09 20 36 002-09	handle	2
10	04 30 30 029 00 90	fixing set	2
11	09 21 02 055-09	cover	2
12	90 90 03 151 00 90	top	2
13	04 20 36 002 07-09	handle (hot)	1
14	09 26 01 011 90	accessories	1
15	90 23 01 118 01-09	aerator	1
16	04 30 04 064 00 90	hose	2
17	04 23 10 009 01 90	fixing set	1
18	04 11 01 001 00-09	pop-up waste	1

18 ——— Abteil/gemittelt 04.11.01.001.00-#