

Shower - Madison

Showerpipe with shower thermostat without hand shower - Durabron

Article number: 34 459 360-09



- shower with fixed riser projection 420 mm
- rain shower Ø 200mm
- rain shower with anti-scale system
- max. rainshower flow 9 l/min
- rotary diverter for fixed-riser shower/hand shower
- height of fittings up to rain shower (bottom edge) 985mm
- height of fittings up to top edge of elbow 1160mm
- two-part push-on rosette Ø 65 mm
- rosette for shower holder Ø 65mm
- rosette for wall mounting Ø 60mm
- gauge 150 mm - 13 mm
- metal shower hose 1250mm with integrated anti-twist protection
- 1/2" connection
- Pipe diameter 20 mm
- Fittings group as per DIN 4109: 1
- This article does not include a hand shower!
- Intrinsic protection against back flow.



Durabron

Discontinued articles/items available to order until 31.12.9999

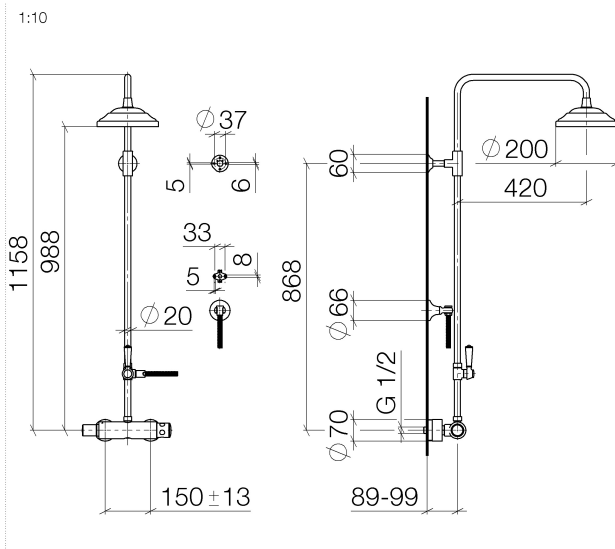


Shower - Madison

Showerpipe with shower thermostat without hand shower - Durabronz

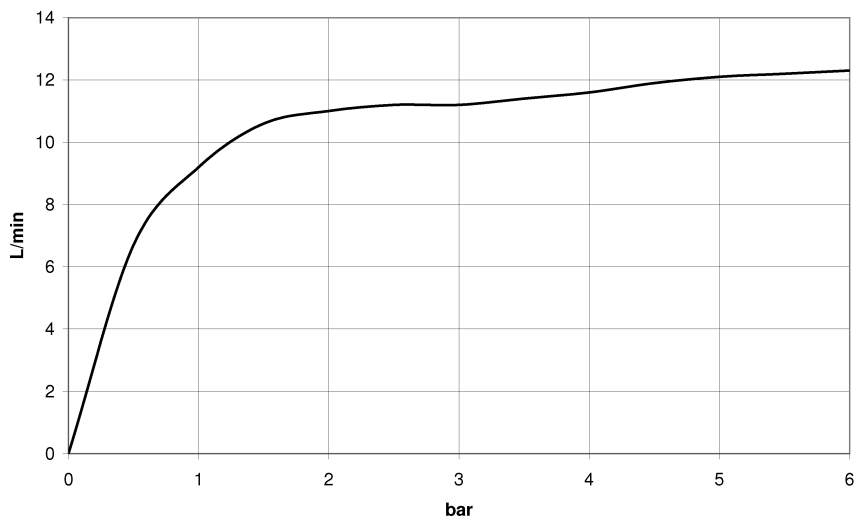
Article number: 34 459 360-09

Dimensional drawing



All details in mm / inch = mm x 0.0394

Flow rate chart



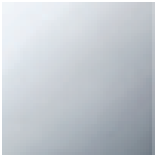


Shower - Madison

Showerpipe with shower thermostat without hand shower - Durabron

Article number: 34 459 360-09

Other finish variants



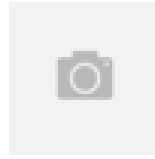
polished chrome
34 459 360-00



platinum matt
34 459 360-06



platinum
34 459 360-08



brushed Durabron
34 459 360-28



Dark Platinum matt
34 459 360-99

Other finishes on request (x-tra Service)

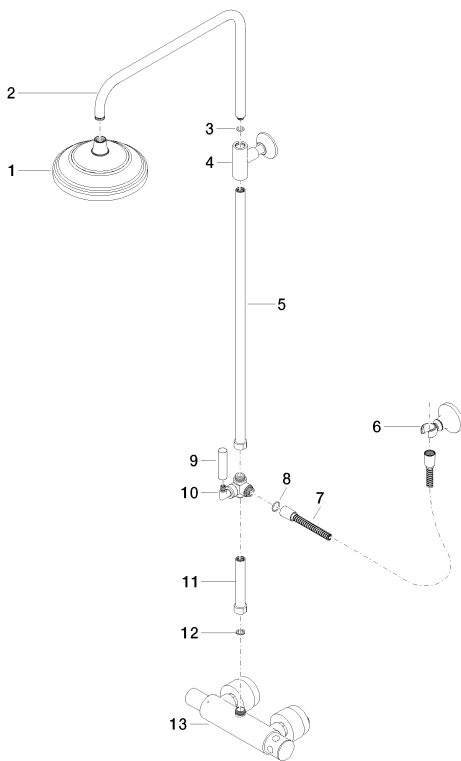


Shower - Madison

Showerpipe with shower thermostat without hand shower - Durabross

Article number: 34 459 360-09

Spare parts list



No.	Item Number	Name	Quantity used
1	04 12 05 038 01-09	shower	1
2	04 28 22 101 20-09	spout	1
3	09 14 10 011 90	seal	1
4	90 17 11 037 01-09	holder	1
5	90 28 22 104 00-09	pipe	1
6	28 050 410-09	holder	1
7	28 104 970-09	Metal shower hose 1/2" x 1/2" x 1250 mm - Durabross	1
8	09 14 10 122 90	seal	1
9	11 170 880-09	handle	1
10	90 17 09 045 00-09	diverter	1
11	90 28 22 103 00-09	pipe	1
12	09 14 20 002 90	seal	1
13	04 17 01 044 01-09	fitting	1