

AXOR ShowerSolutions

ShowerHeaven 1200/300 4jet with lighting 5000 K

Surfaces: **Polished Gold Optic** Article Number: **10629990**



product features

- shower head size: 1200 x 300 mm
- spray type: PowderRain, Rain, Mono
- Select button on thermostat
- material spray disc: metal
- brass ceiling connector
- ceiling connection length: 100 mm
- maximum flow rate at 3 bar: 30 l/min
- flow rate PowderRain spray outer (at 0,3 MPa): 12 l/min
- flow rate PowderRain spray inner (at 0.3 MPa): 12 l/min
- flow rate Rain spray (at 3 bar): 16 l/min
- flow rate Mono spray (at 3 bar): 15 l/min
- minimum flow pressure: 3 bar
- can be activated individually or in combination
- overhead shower removable for cleaning
- extendable flaps can be opened manually
- installation: ceiling, extendable claps can be pre-set to the user size
- connection dimension: DN15
- with integrated lighting
- illuminant: LED
- power supply: 24 V
- transformer power supply, 24 V, 60 W, EuP II
- input voltage: 100 - 240 V AC / 50 / 60 Hz
- output voltage: 24 V - DC
- colour temperature: 5000 K
- Light color: neutral white
- not suitable for continuous flow water heaters

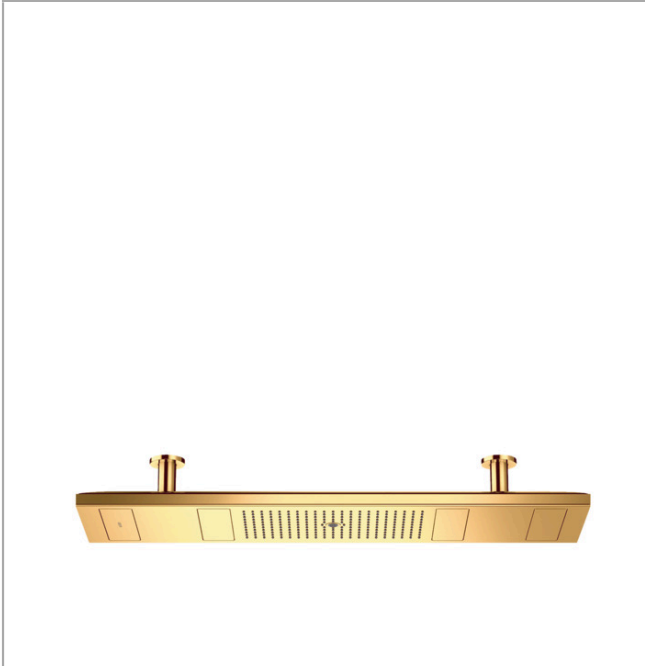
Technology



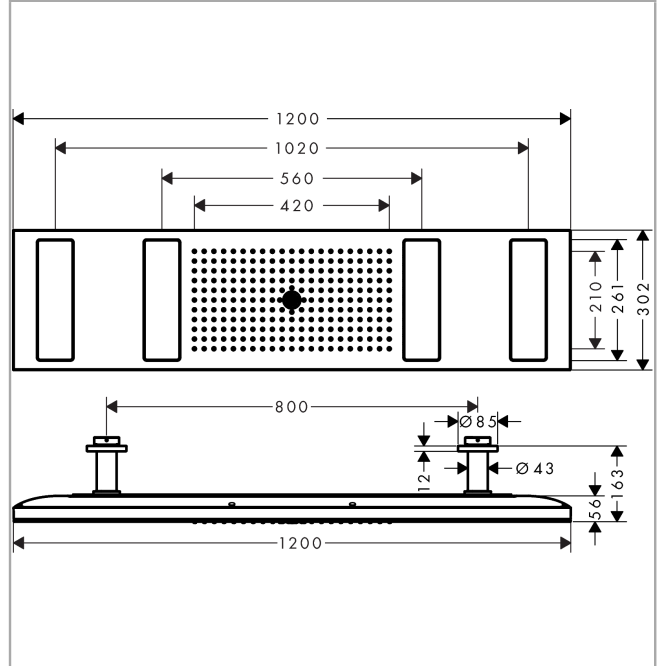
AXOR ShowerSolutions
ShowerHeaven 1200/300 4jet with lighting 5000 K
 Surfaces: **Polished Gold Optic** Article Number: **10629990**



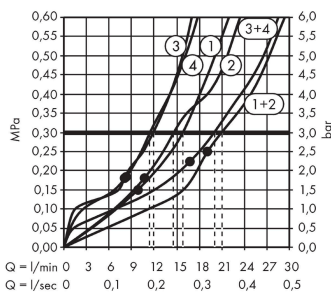
Product image



Scale drawing



Flowchart



- ① Rain
- ② Mono
- ③ PowderRain inside
- ④ PowderRain outside

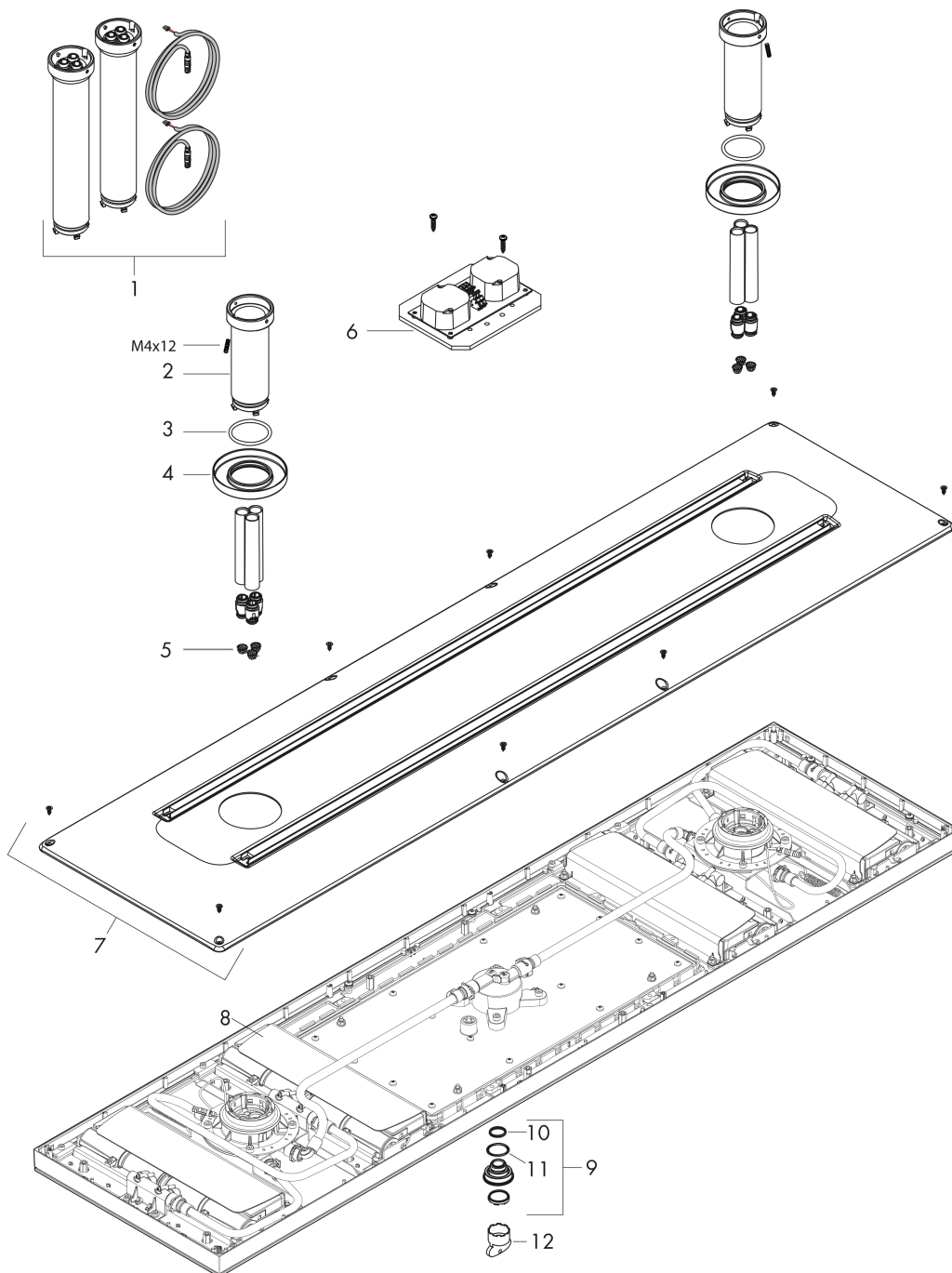
The consumption was measured in combination with the appropriate fittings (thermostat/mixer/in-wall valve) to reflect actual application in practice.

AXOR ShowerSolutions
ShowerHeaven 1200/300 4jet with lighting 5000 K
Surfaces: **Polished Gold Optic** Article Number: **10629990**



Exploded Drawing

Year of production: >10/17



AXOR ShowerSolutions
ShowerHeaven 1200/300 4jet with lighting 5000 K
 Surfaces: **Polished Gold Optic** Article Number: **10629990**



Spare part list

Year of production: >10/17

Pos.		Article Number	Price	PU
1	extension set	13603990	-	1
2	sleeve	92709990	-	1
3	O-ring 42x3,5	92708000	-	1
4	escutcheon Ø 85 mm	93265990	-	1
5	filter	97735000	-	1
6	transformer for illumination	93266000	-	1
7	cover	93476000	-	1
8	spray insert	93267990	-	1
9	aerator laminar	92684000	-	1
10	O-ring 15x2	98163000	-	1
11	O-ring 21x2	98205000	-	1
12	special tool	95158000	-	1
a	base body	10922180	-	1