

Bath - Madison

Bath mixer for wall mounting with hand shower set - Durabron

Article number: 25 023 360-09



- 160 mm projection
- hand shower: normal flow
- spout: rectangular normal flow
- wall bracket
- rotary diverter for bath/shower
- rosette Ø 70 mm
- 1/2" connection
- gauge 153 mm
- metal shower hose 1250mm with integrated anti-twist protection
- max. spout flow rate 26 l/min
- max. hand shower flow 9 l/min
- Intrinsic protection against back flow.



Durabron

Discontinued articles/items available to order until 31.12.9999



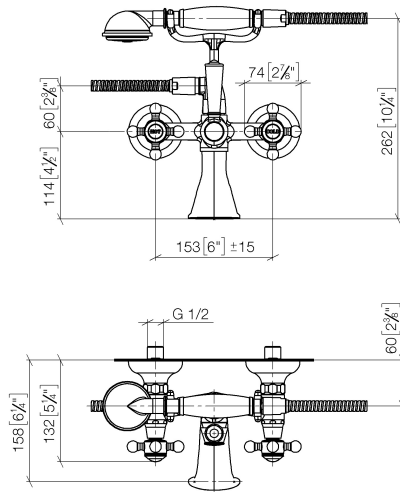
Bath - Madison

Bath mixer for wall mounting with hand shower set - Durabronz

Article number: 25 023 360-09

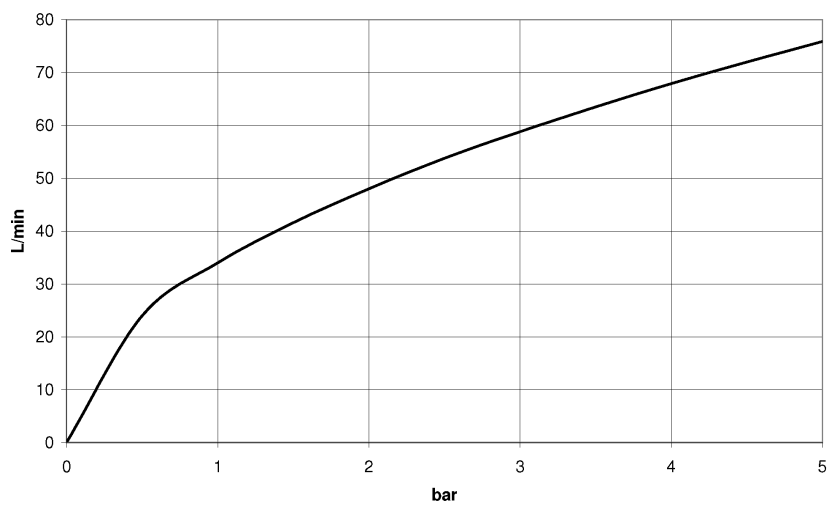
Dimensional drawing

mm [inches]



All details in mm / inch = mm x 0.0394

Flow rate chart





Bath - Madison

Bath mixer for wall mounting with hand shower set - Durabronss

Article number: 25 023 360-09

Other finish variants



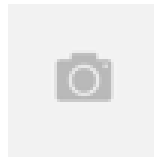
polished chrome
25 023 360-00



platinum matt
25 023 360-06



platinum
25 023 360-08



brushed Durabronss
25 023 360-28

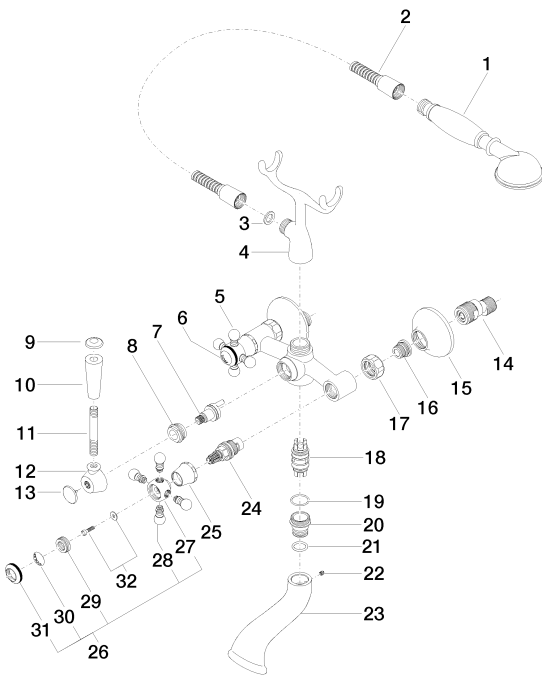
Other finishes on request (x-tra Service)

Bath - Madison

Bath mixer for wall mounting with hand shower set - Durabron

Article number: 25 023 360-09

Spare parts list



No.	Item Number	Name	Quantity used
1	28 002 970-09	Metal hand shower with porcelain insert (white) 9 l/min - Durabron	1
2	28 104 970-09	Metal shower hose 1/2" x 1/2" x 1250 mm - Durabron	1
3	09 14 20 002 90	seal	1
4	04 17 20 010 00-09	holder	1
5	04 20 36 002 07-09	handle (hot)	1
6	09 26 01 011 90	accessories	1
7	04 15 01 001 00 90	diverter	1
8	09 23 10 007 90	nut	1
9	09 30 30 062-09	screw	1
10	11 170 370-09	Lever insert - Durabron	1
11	09 28 22 013 90	pipe	1
12	09 18 20 011-09	base	1
13	09 30 30 064-09	screw	1
14	04 11 04 030 00 90	connection	2
15	09 27 39 010-09	rosette	2
16	04 29 05 014 00 90	nipple	2
17	09 23 30 010-09	nut	2
18	04 21 10 010 00 90	insert	1
19	09 14 10 056 90	seal	1
20	09 24 03 123 20 90	nipple	1
21	09 14 10 022 90	seal	1
22	09 31 11 030 90	pin	1
23	09 11 06 033 20-09	spout	1
24	90 90 03 131 00 90	top	2
25	09 21 02 055-09	cover	2
26	04 20 36 002 06-09	handle (cold)	1
27	09 20 36 002-09	handle	2
28	09 20 36 004-09	handle	8
29	09 20 83 006 90	handle	2
30	09 26 01 010 90	accessories	1
31	09 20 36 005-09	handle	2
32	04 30 30 029 00 90	fixing set	2