

WC - Madison

Tissue holder with cover - Durabronz

Article number: 83 510 361-09

- width 145mm
- height 90 mm
- 150 mm projection

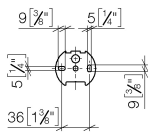
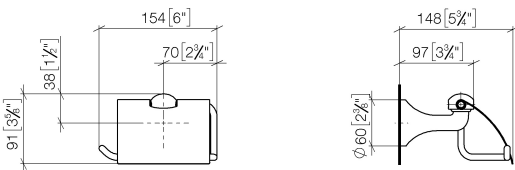


Durabronz

Discontinued articles/items available to order until 31.12.9999

Dimensional drawing

mm [inches]



All details in mm / inch = mm x 0.0394



WC - Madison

Tissue holder with cover - Durabrass

Article number: 83 510 361-09

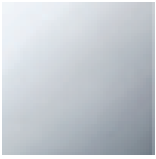


WC - Madison

Tissue holder with cover - Durabronz

Article number: 83 510 361-09

Other finish variants



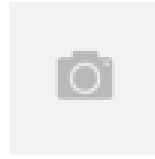
polished chrome
83 510 361-00



platinum matt
83 510 361-06



platinum
83 510 361-08



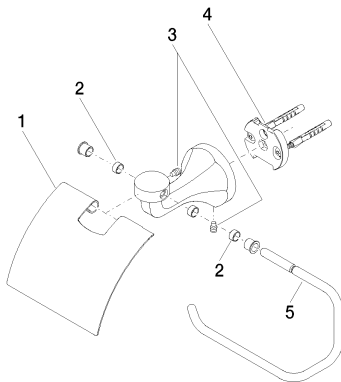
brushed Durabronz
83 510 361-28



Dark Platinum matt
83 510 361-99

Other finishes on request (x-tra Service)

Spare parts list



No.	Item Number	Name	Quantity used
1	08 11 02 508-09	lid	1
2	08 18 40 505 90	sleeve	2
3	04 31 11 140 00 90	pin	2
4	05 17 97 507 00 90	fixing set	1
5	08 18 70 501-09	bow	1