

Washbasin - Madison

Three-hole basin mixer with pop-up waste - Durabron

Article number: 20 700 360-09

- 135 mm projection
- fixed spout
- circular, air-enriched flow
- height of mixer 72 mm
- height up to aerator 40 mm
- hole diameter valve 32 mm
- hole diameter spout 35 mm
- without rosette
- 2x 1/2" x 1/2" high pressure hose
- max. flow 7 l/min
- lead-free
- Fittings group as per DIN 4109: 1
- Only suitable for basins with an overflow.



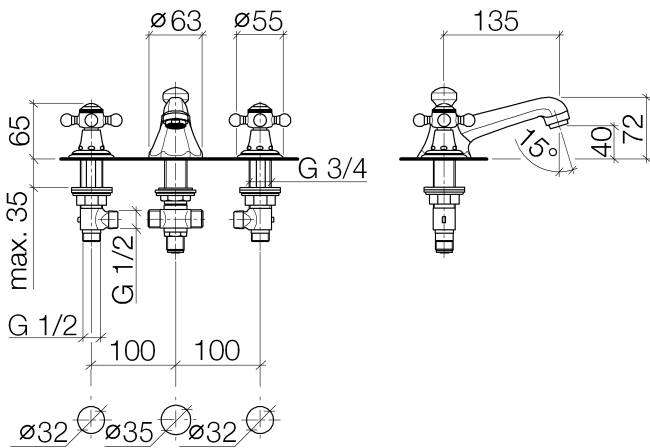
Durabron

Discontinued articles/items available to order until 31.12.9999



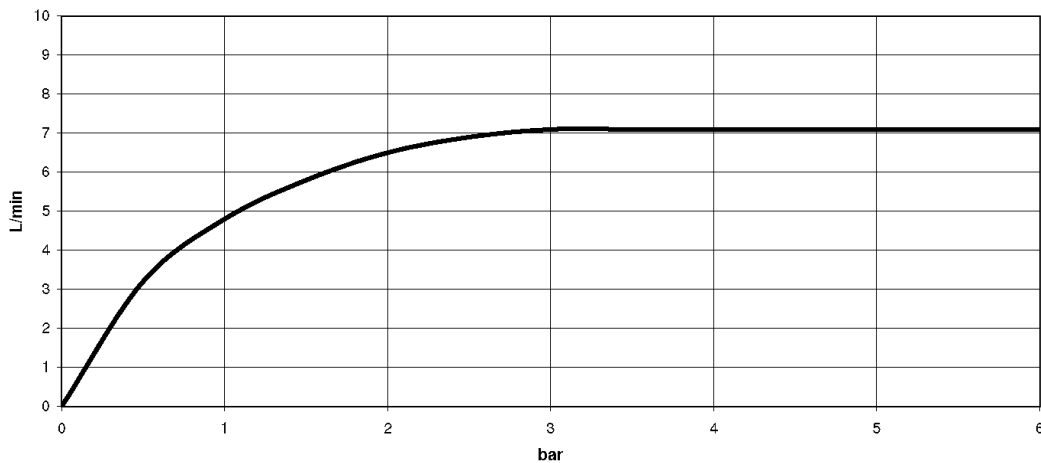
Washbasin - Madison
Three-hole basin mixer with pop-up waste - Durabronz
Article number: 20 700 360-09

Dimensional drawing



All details in mm / inch = mm x 0.0394

Flow rate chart





Washbasin - Madison

Three-hole basin mixer with pop-up waste - Durabrass

Article number: 20 700 360-09

Other finish variants



polished chrome
20 700 360-00



platinum matt
20 700 360-06



platinum
20 700 360-08



brushed Durabrass
20 700 360-28



Dark Platinum matt
20 700 360-99

Other finishes on request (x-tra Service)



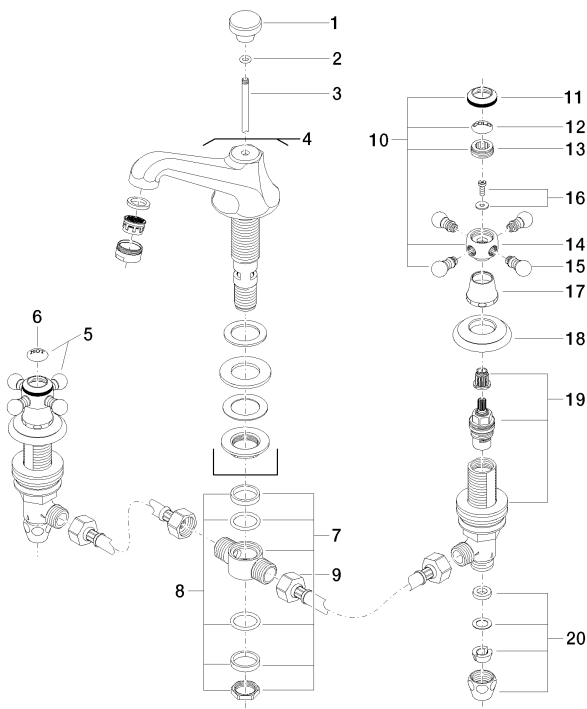
12 506 970 90
High pressure hoses -

Washbasin - Madison

Three-hole basin mixer with pop-up waste - Durabrass

Article number: 20 700 360-09

Spare parts list



No.	Item Number	Name	Quantity used
1	09 20 36 030-09	handle	1
2	09 14 10 062 90	seal	1
3	09 31 09 004-09	pull-rod	1
4	13 700 380-09	spout	1
5	04 20 36 002 07-09	handle (hot)	1
6	09 26 01 011 90	accessories	1
7	04 17 11 020 10 90	distributor	1
8	90 23 10 012 00 90	gasket kit	1
9	04 30 04 096 00 90	hose	2
10	04 20 36 002 06-09	handle (cold)	1
11	09 20 36 005-09	handle	2
12	09 26 01 010 90	accessories	1
13	09 20 83 006 90	handle	2
14	09 20 36 002-09	handle	2
15	09 20 36 004-09	handle	8
16	04 30 30 029 00 90	fixing set	2
17	09 21 02 055-09	cover	2
18	09 27 35 001-09	rosette	2
19	90 17 11 040 51 90	side panel	2
20	04 23 30 040 00-09	threaded connector	2
21	04 11 01 001 00-09	pop-up waste	1

21 Ablaufgarnitur 04 11 01 001 00 FF